

The Travsafe® horizontal lifeline system provides a permanent engineered solution to your fall protection needs. These permanent systems are designed and installed by Travsafe® certified representatives and have custom designed solutions to meet the site-specific requirements. Travsafe® is a hands free system that allows up to 7 users (maximum if conditions allow) simultaneously. The systems can be designed to allow unhindered travel for unlimited distances with out the need to disconnect and reconnect at the anchorages.

The Travsafe® twin wire rope horizontal lifeline system provides for smooth travel compared to single line systems. The twin wire ropes allow the traveller to sit true and move freely over the intermediate anchors, minimizing wear and eliminating user assistance. The user's hands remain free to accomplish whatever task is required.

Features

- The twin lines ensure smooth hands free travel over anchors and around corners.
- When a fall occurs, the traveller's jaws close tightly around the lines
- The Travsafe® system contains relatively few components when compared to other systems
- The system can be supplied with stainless steel or aluminum anchorage and stainless steel or galvanized wire rope.
- The system can be secured to walls, floors or ceilings
- The system has a large tolerance. Anchors can be offset and travel remains smooth.
- When properly designed and installed, the system meets all OSHA, ANSI and CSA requirements

Applications

- Building maintenance (rooftops with out guardrails or parapets)
- Aircraft hangers (overhead systems to service the top of the fuselage and wings)
- Bridges and viaducts
- Oil and gas installations
- Distribution facilities
- Overhead cranes
- Industrial plants

Applicable standards

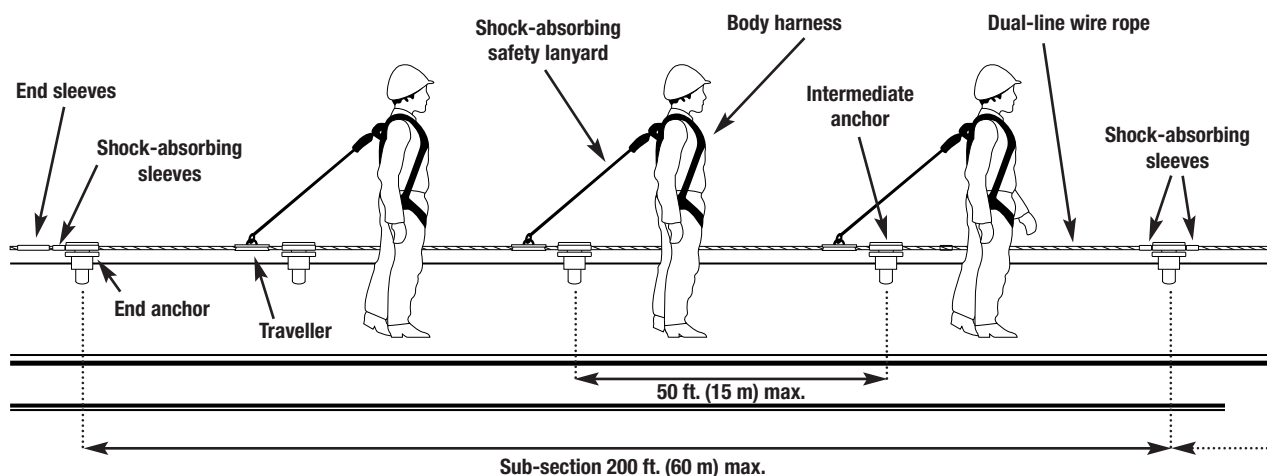
- OSHA, ANSI, CSA and Provincial occupational health and safety acts and regulations

Compatible personal fall protection equipment also required

- Full-body harness
- Shock-absorbing lanyard or self-retracting device

⚠ WARNING

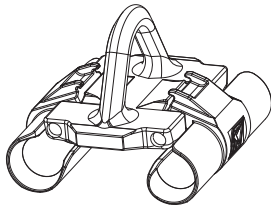
Regulations state that horizontal lifelines shall be designed, installed and used under the supervision of a qualified person, professional engineer, as part of a complete personal fall arrest system.



The Travsafe® system

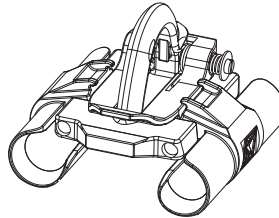
The Travsafe® traveller

The Travsafe® traveller is a mobile anchor point. It is comprised of two jaws that hold the traveller onto the wire ropes and automatically grip when a fall occurs. The traveller is made entirely out of stainless steel and comes in three models.



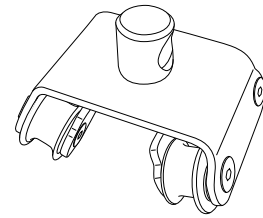
Traveller

The standard traveller is captive along the lifeline and can only be inserted or removed at end anchors that are found at each end of the system.



Removable traveller

The removable traveller (optional) can be engaged or disengaged anywhere along the lifeline, provided the means of access and egress are safe.

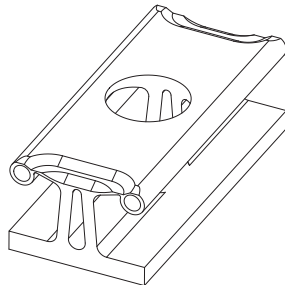


Rollsafe traveller

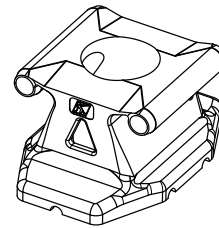
The rollsafe traveller is for use with overhead systems. It insures the smooth travel of heavy retractable blocks and long lanyards.

The intermediate anchors

The Travsafe® lifelines are supported by either a custom extruded aluminum intermediate anchor or a cast stainless steel one. They are anchored to the structure by a type A325 (M16) or equivalent mounting fastener. They have two parallel borings along their length for passage of the wire ropes.



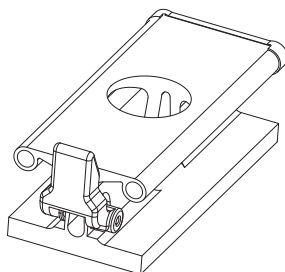
Aluminium intermediate anchor



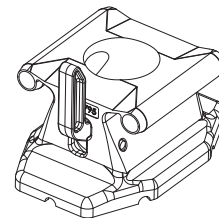
Stainless steel intermediate anchor

The end anchors

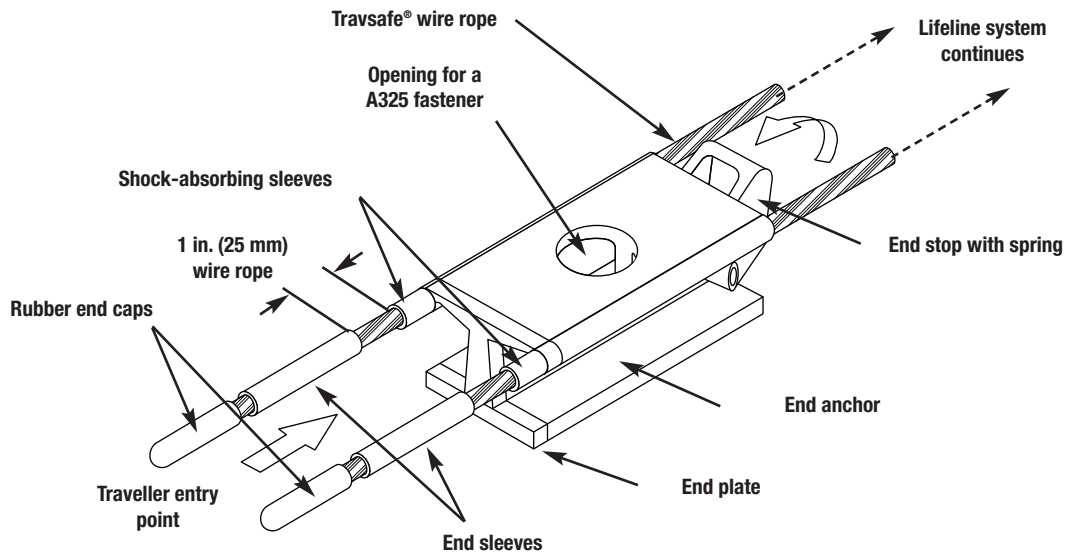
The end anchor is similar to the intermediate anchor with the addition of an end stop. This end stop or anti return lever allows a traveller to easily enter the system but does not allow it to come off unintentionally. The end stop is equipped with a spring located at the rotation axis that returns the stop back to the closed position after the traveller has been inserted.



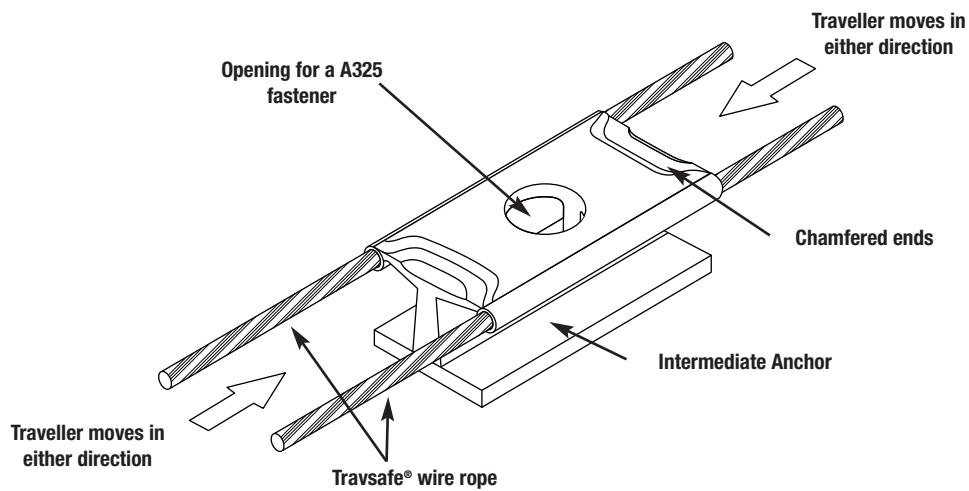
Aluminium end anchor



Stainless steel end anchor



Travsafe® end anchor aluminium assembly



Travsafe® aluminium anchor assembly

Shock-absorbing sleeves

The end anchors and some specific intermediate anchors are equipped with shock-absorbing sleeves. These shock-absorbing sleeves are engineered to reduce the impact force of a fall on the lifeline. The shock-absorbing sleeves are positioned at corners, at each end anchor of the lifeline and at each side of an intermediate anchor every 200 ft. (60 m).

The Travsafe® wire rope

The Travsafe® wire rope is available in two types. Galvanized wire rope is intended for occasional use under moderate conditions. Stainless steel wire rope is recommended when frequent use of the system is planned or it is located in a severe climate.

- 5/16 in. (8.3 mm) galvanized steel wire rope
- 5/16 in. (8.3 mm) stainless steel wire rope

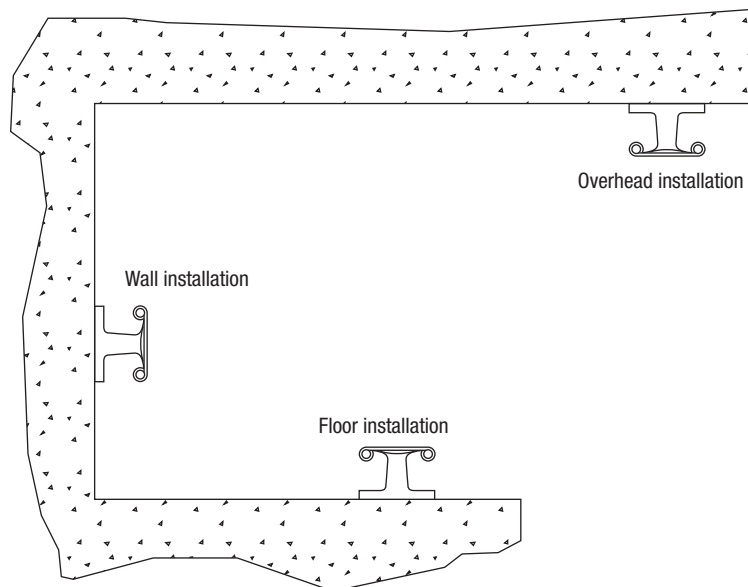
Travsafe® installation

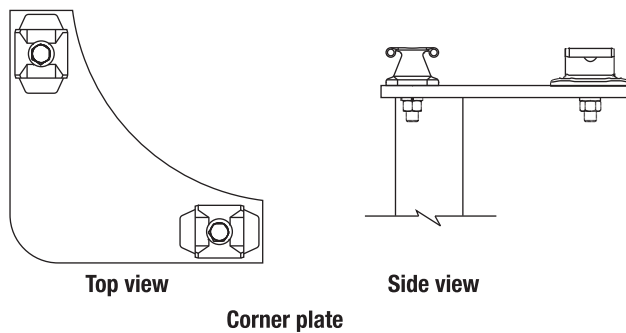
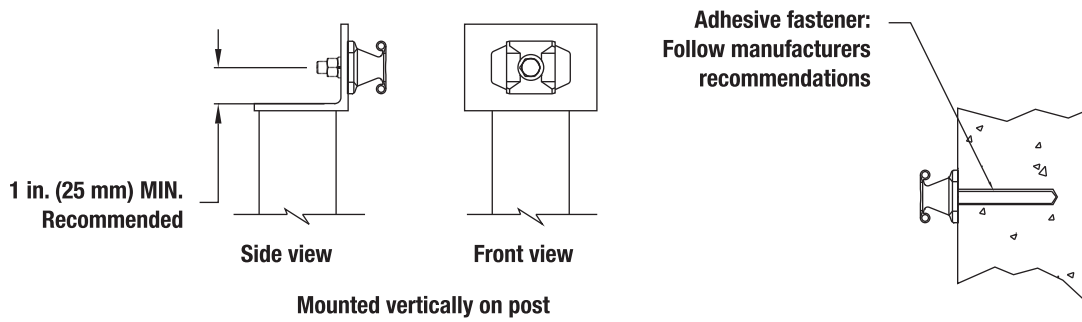
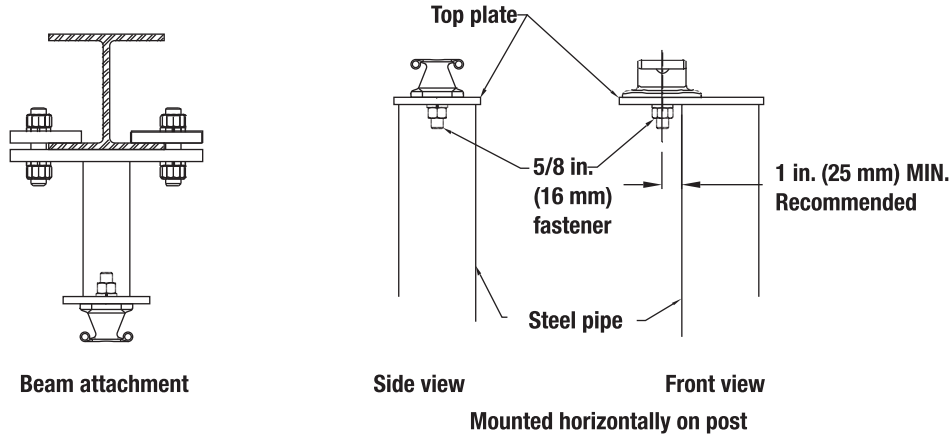
The anchors can be mounted to ceilings, wall or floors. A Travsafe® system can incorporate a combination of these mounting methods if designed and installed properly.

When mounted to the wall, a 4 to 6 ft. (1.2 to 1.8 m) distance from the floor is considered optimum.

When mounted to the ceiling, a maximum height of 50 ft. (15 m) between the user and Travsafe® system is recommended when using retractable lanyards. If you are using lifelines and with rope grabs, greater heights are achievable.

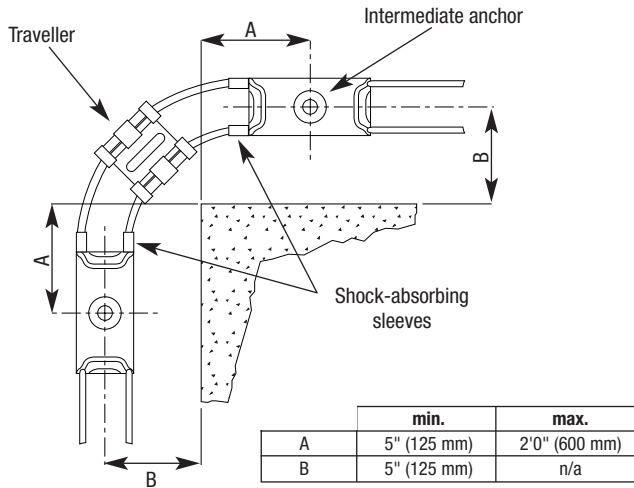
When mounted to the floor, it is recommended to place the system clear of the work area yet close enough to aid in the reduction of additional dynamics on the system as this configuration almost always results in higher loading.



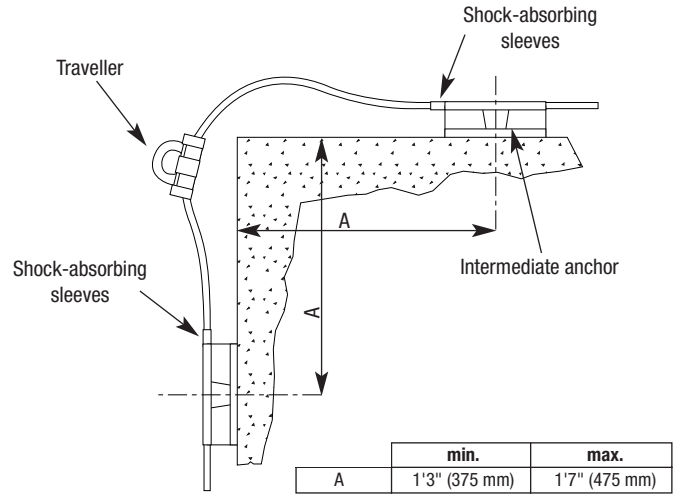


Corners

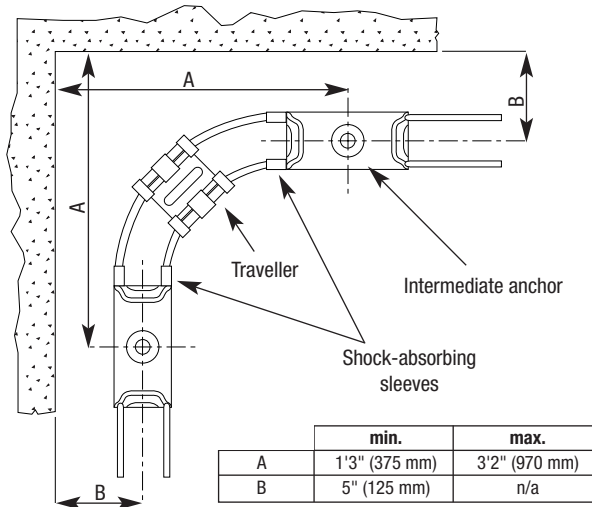
Travsafe® permits the lifeline to negotiate the angles of internal, external and flat (floor) corners. The traveller smoothly passes all corner variations.



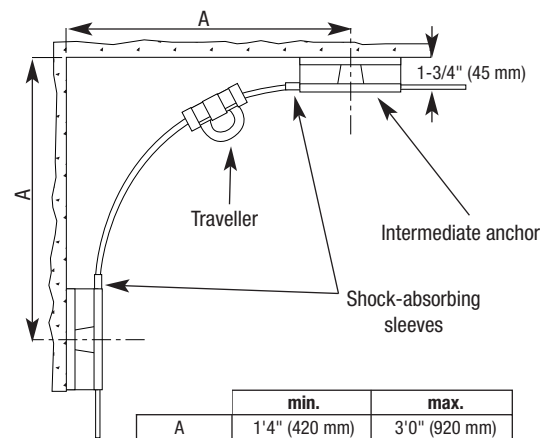
Horizontal outside corner



Vertical outside corner

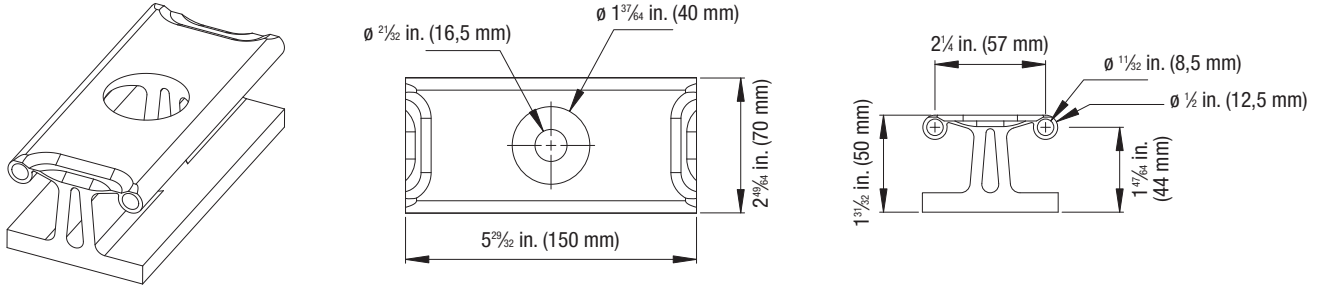


Horizontal inside corner



Vertical inside corner

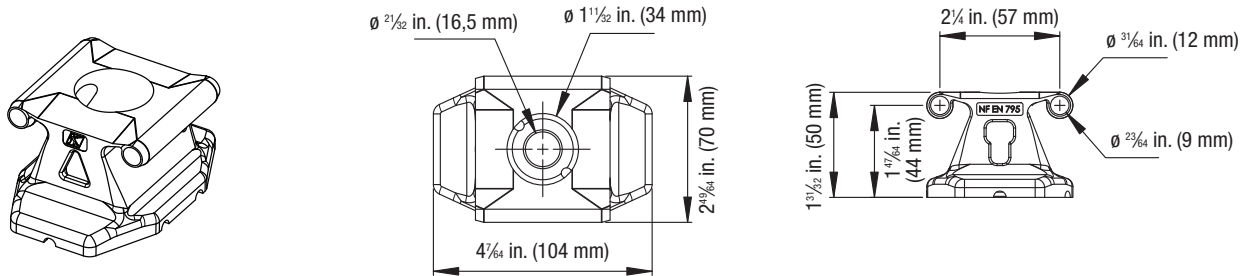
Intermediate anchor – Aluminum – J300268004



End anchor – Aluminum – J300268901



Intermediate anchor – Stainless steel – J300268025



End anchor – Stainless steel – J300268916

