

## PENDANT MODEL—SPECIFICATIONS

Cap. (Tons)	Product Code	Standard Lift (ft)	Push Button Hose L (ft)	Up/Down Speeds (ft/min @ 90 psi)		Up/Down Air Consumption Rates (cubic ft/min @ 90 psi)		Load Chain Diameter (mm) x Chain Fall Lines	Net Weight (lbs)	Weight for Additional One Foot of Lift (lbs)
				No Load	Full Load	No Load	Full Load			
1/2	TCW500P	10	8.2	79 / 53	43 / 79	64 / 57	57 / 64	6.3 x 1	46	0.6
1	TCW1000P2			39 / 26	21 / 39	64 / 57	57 / 64	6.3 x 2	60	1.2

## PENDANT MODEL—DIMENSIONS

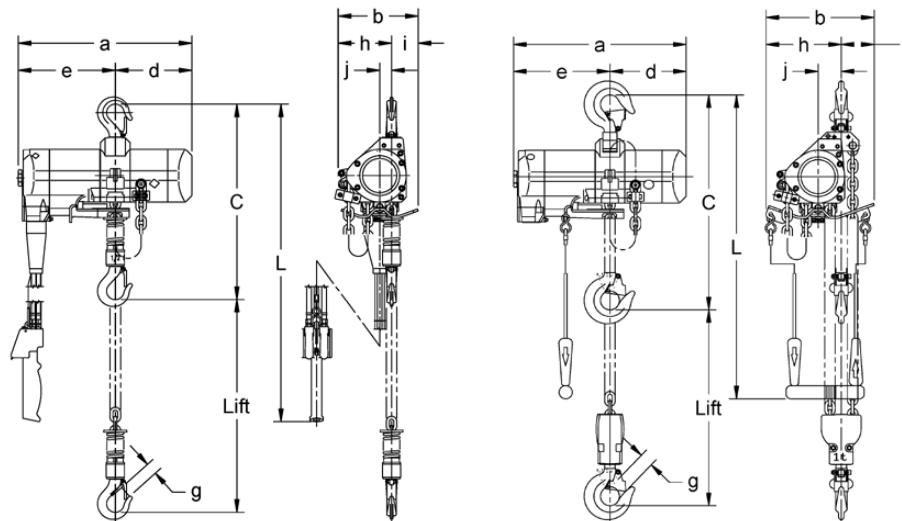
Cap. (Tons)	Product Code	Headroom C (in)	a (in)	b (in)	d (in)	e (in)	g (in)	h (in)	i (in)	j (in)
1/2	TCW500P	16.3	14.4	8.7	6.4	8.0	1.0	5.3	3.3	1.0
1	TCW1000P2	18.0	14.4	9.0	6.4	8.0	1.1	6.3	2.7	1.9

## CORD MODEL—SPECIFICATIONS

Cap. (Tons)	Product Code	Standard Lift (ft)	Cord L (ft)	Up/Down Speeds (ft/min @ 90 psi)		Up/Down Air Consumption Rates (cubic ft/min @ 90 psi)		Load Chain Diameter (mm) x Chain Fall Lines	Net Weight (lbs)	Weight for Additional One Foot of Lift (lbs)
				No Load	Full Load	No Load	Full Load			
1/2	TCW500C	10	7.3	79 / 53	43 / 79	64 / 57	57 / 64	6.3 x 1	44	0.6
1	TCW1000C2			39 / 26	21 / 39	64 / 57	57 / 64	6.3 x 2	58	1.2

## CORD MODEL—DIMENSIONS

Cap. (Tons)	Product Code	Headroom C (in)	a (in)	b (in)	d (in)	e (in)	g (in)	h (in)	i (in)	j (in)
1/2	TCW500C	16.3	14.4	8.7	6.4	8.0	1.0	5.3	3.3	1.0
1	TCW1000C2	18.0	14.4	9.0	6.4	8.0	1.1	6.3	2.7	1.9



TCW500P

TCW1000C2