

# Rig-Release<sup>®</sup> Manual Releasing Hook

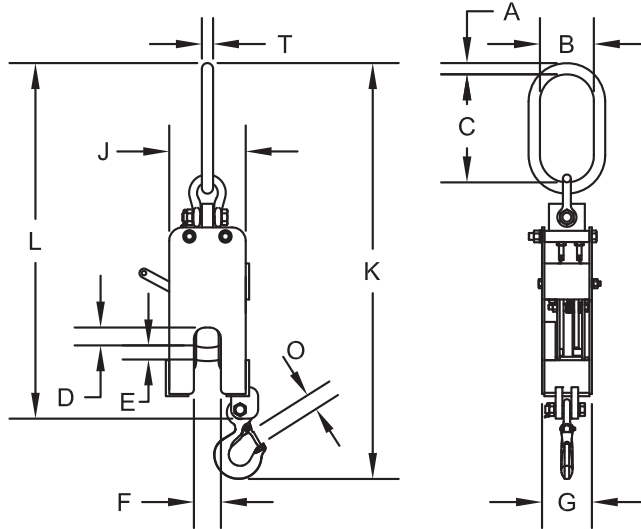
## Model RR - Manual Release Unit



1 Ton Unit Shown

### PRODUCT FEATURES:

- Rope Guide allows rigging to be released when hook is either above or beside the operator. If hook is located below the operator please see Upward Pull option on page E.20.
- Designed for rugged outdoor use.
- Easy to use - simply rig, lift, set and release.
- LOCK & CAPTURE feature engages with very little load weight (see Minimum Load in chart below).
- Rated load capacity can be lifted from either Lift Arm or the lower Strip Sling Hook. Do not exceed rated capacity of hook.
- Oversized bail for easy mounting on crane hook - 5, 10 & 15 ton units provided with fixed bails.
- Designed and manufactured to ASME standards.



Patent No. 7,380,849

### SPECIFICATIONS - Manual Release

Model Number	Rated Cap. (tons)	Dimensions (inches)								Bail Dimensions (inches)				Weight (lbs.)
		D	E	F	G	J	K	L	O	A	B	C	T	
RR-1	1	1.15	0.75	1.25	2.77	4.25	23.10	19.75	0.89	0.63	3.00	6.00	0.63	14
RR-2.5	2.5	1.75	1.00	1.50	4.25	9.56	31.67	26.88	1.09	0.63	3.00	6.00	0.63	45
RR-5	5	1.83	1.50	1.50	5.00	11.13	36.40	30.75	1.36	2.00	4.00	7.00	1.25	110
RR-10	10	2.25	1.75	2.00	6.31	11.00	41.16	32.13	2.08	2.00	4.00	7.00	1.25	200
RR-15	15	3.00	2.50	2.50	6.31	15.00	49.25	39.25	2.27	2.50	5.00	9.00	1.50	325

NOTE: For larger capacities see page E.21.

### SPECIFICATIONS

Model Number	Rated Capacity (tons)	Rigging				
		*Minimum Load (lbs.)		Recommended Lifting Slings	**Maximum Allowable Rigging Weight (lbs.)	
		Basket	Choker	Rope Dia. (inches)	Basket	Choker
RR-1	1	30	15	3/8	14	7
RR-2.5	2.5	80	40	5/8	28	14
RR-5	5	230	115	7/8	60	30
RR-10	10	230	115	1-1/4	100	50
RR-15	15	400	200	1-1/2	100	50



Chart data is based upon the minimum number of springs.

\*If minimum load weight is not met, safety mechanism will not engage into the LOCK & CAPTURE position.

\*\*If maximum allowable rigging weight is exceeded, unit will remain in the LOCK & CAPTURE position and can not be released.

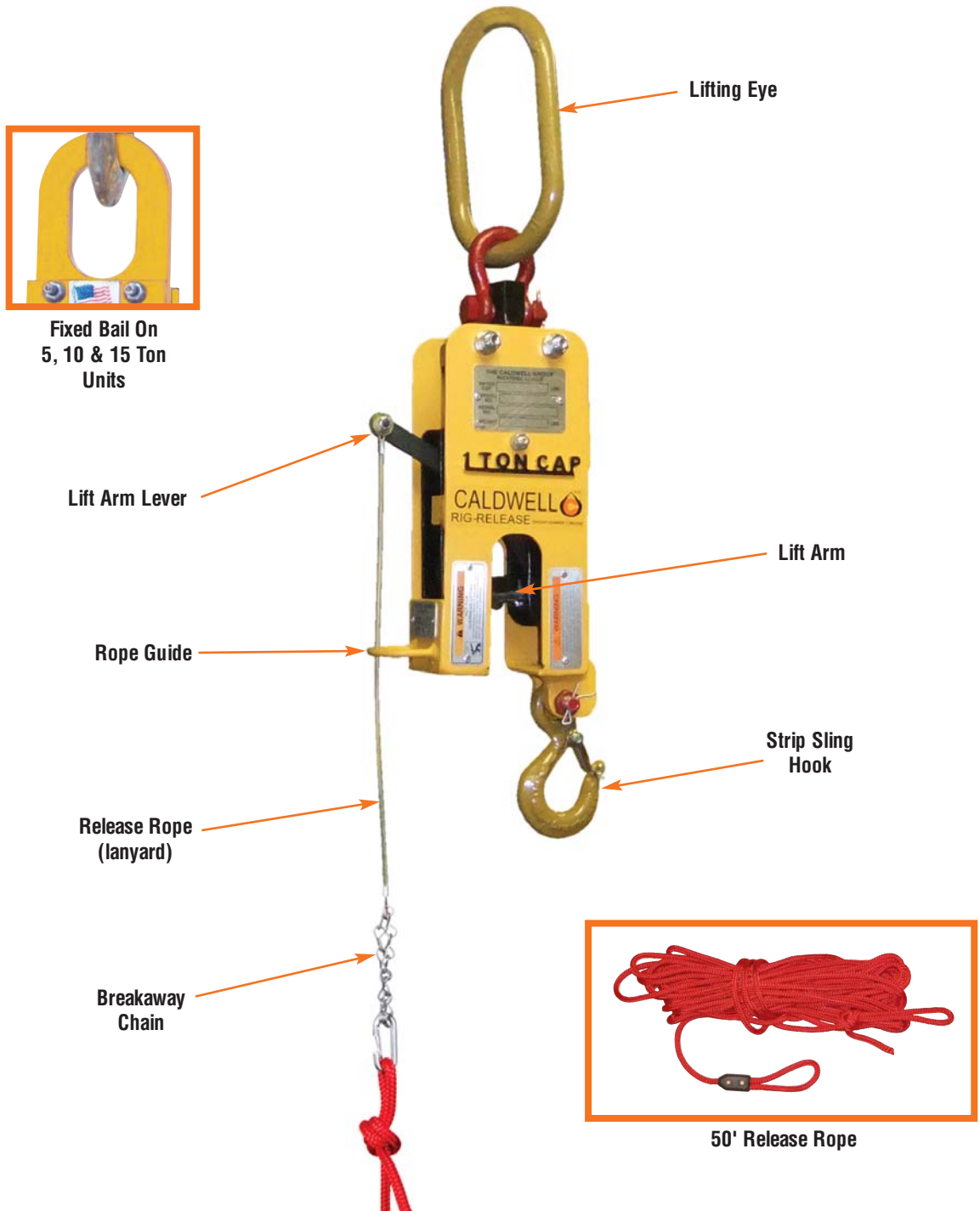
If the maximum allowable rigging weight needs to be increased, additional springs can be added, refer to the Instruction Manual.

# Rig-Release® Manual Releasing Hook

The Rig-Release® Remote Releasing Hook will allow you to set loads – and then – quickly, efficiently and safely release the sling from a safe distance. The Rig-Release® simply hooks to your crane or spreader beam. Attach the lifting sling(s) directly to the Rig-Release® and rig the load. Once the load is set, and the load line is slack, pull the Release Rope to release the sling(s). No need for a man lift on site or to have a worker crawl out (or up) just to disconnect sling(s). It's all done from a safe distance.

**SAFETY FEATURES:**

- When the minimum load is applied, the Inner Body Assembly sits in the LOCK & CAPTURE position and **CAN NOT** be released.
- Inner Body Assembly only allows slings to release when the load line is slack.
- Release Rope has built in Breakaway Chain to prevent damage to the Inner Body Assembly.
- Additional springs can be added to accommodate heavier sling weights.



**Manual Rig-Release® Hooks  
Come With Everything Shown.**